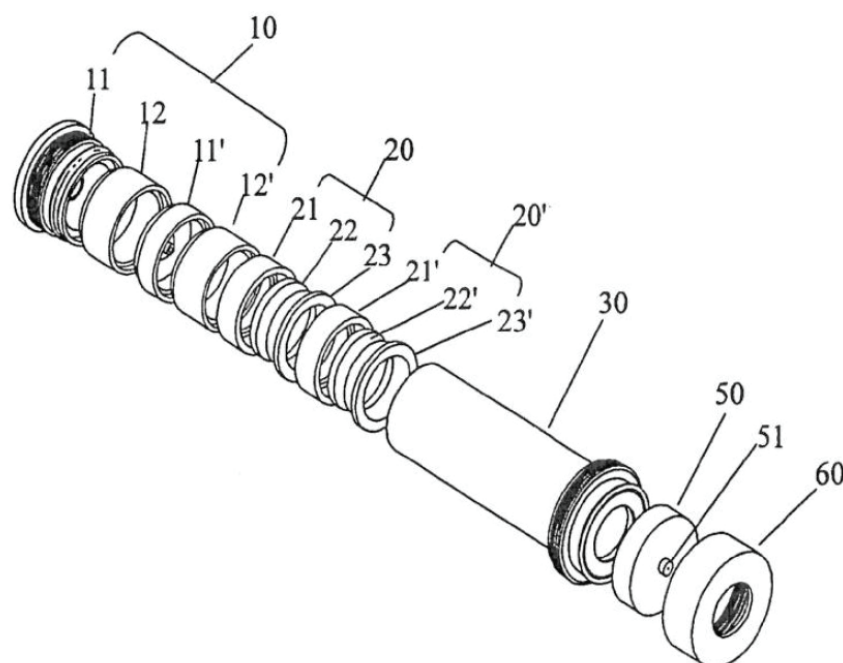


Title	POROUS METAL DENUDER			
Abstract	1. Small size 2. Suites for personal wearing 3. Can be carried out simultaneously sampling with the gas and aerosols.			
Description	A porous metal denuder has a cascade impactor to collect aerosol particles of different diameters, two porous metal discs downstream to collect basic and acidic gases, respectively and a final filter to collect particles smaller than the cut diameter of the last stage of the cascade impactor which will penetrate the two porous metal discs.			
Applicable Targets	Industrial hygienists and researchers			
Remark	Technology transfer has been handled (2008-2009)			
Patent Status	Approved by	Type	Patent No.	Filed
	U.S.	Invention	7537629B2	2006/3/24
	R.O.C.	Invention	I220653	2003/6/30

## Discription & Figures



▲ Exploded View of Porous Metal Denuder